

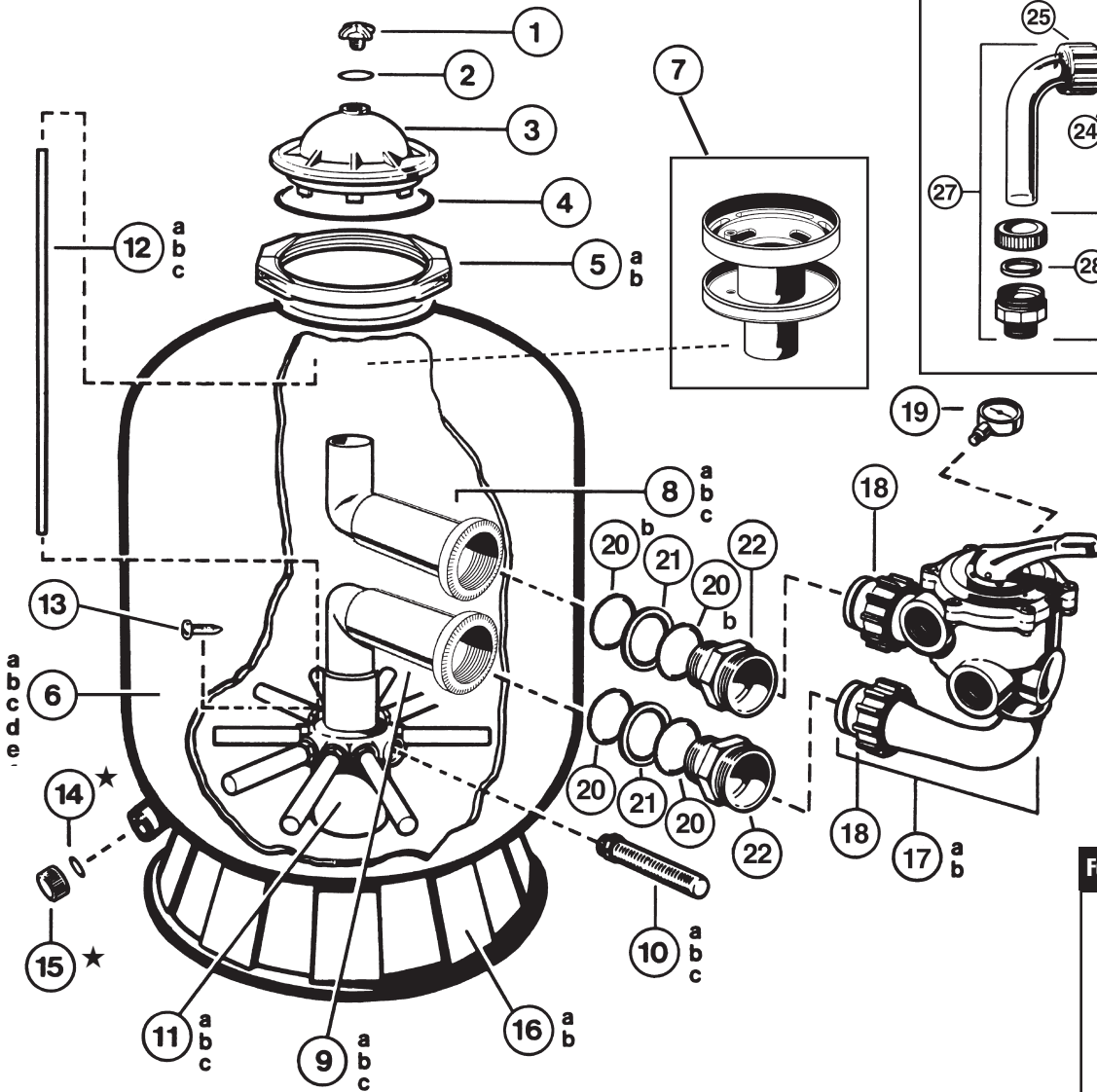


Pro™ Series

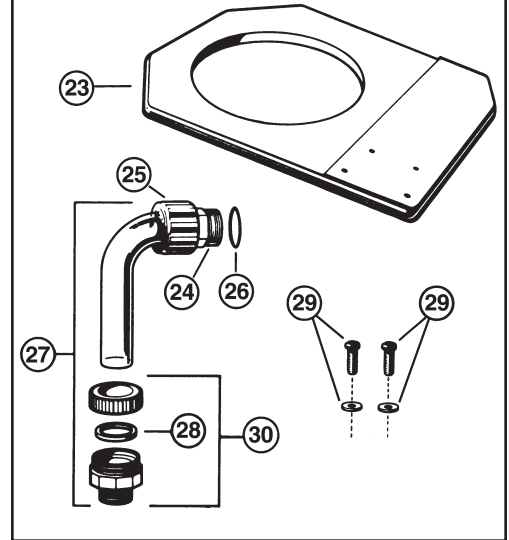
S210S, 220S, 244S, 310S SAND FILTER SERIES REPLACEMENT PARTS

Parts Diagram

Filters



SYSTEM BASE ASSEMBLY



Folding Umbrella Lateral Assembly

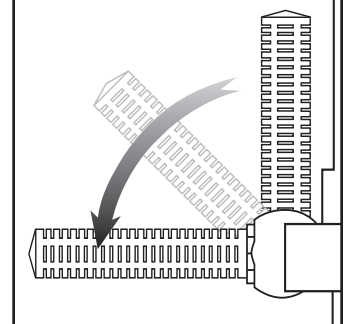


Diagram A

★ Drain Cap Kit (#14 & 15)



Parts Listing

Ref. No.	Part No.	Description	Ctn Qty.	No. Req'd
1	SX200G	Manual Air Relief Cap	10	1
2	SX200Z5	O-Ring, 1 ³ / ₁₆ " O.D.	10	1
3	SX244K	Top Closure Dome	5	1
4	GMX600F	Valve/Tank O-Ring	10	1
5a	GMX600NM	Flange Clamp (Dome-Tank) – Noryl®	20	1
5b	SX310N	Flange Clamp (Dome-Tank) (S310S)	5	1
6a	SX210AA2FW	Filter Tank (S210S) (after 1997)	1	1
6b	SX244AA2	Filter Tank (S244S) (1996 and prior)	1	1
6c	SX244AA2FW	Filter Tank (S244S) (after 1996)	1	1
6d	SX310AA2	Filter Tank (S310S) (1996 and prior)	1	1
6e	SX310AA2FW	Filter Tank (S310S) (after 1996)	1	1
7	SX244G	Top Diffuser Assembly	5	1
8a	SX210CD1FW	Top Elbow Assembly, S210S (after 1996)	5	1
8b	SX244CD1FW	Top Elbow Assembly, S244S (after 1996)	5	1
8c	SX310CD1FW	Top Elbow Assembly, S310S (after 1996)	5	1
9a	SX210CD2FW	Bottom Elbow Assembly, S210S (after 1996)	5	1
9b	SX244CD2FW	Bottom Elbow Assembly, S244S (after 1996)	5	1
9c	SX310CD2FW	Bottom Elbow Assembly, S310S (after 1996)	5	1
10a	SX200Q	Lateral (S210S)	10	10
10b	SX240D	Lateral (S220S, S244S)	10	10
10c	SX310HA	Lateral (S310S)	10	10
11a	SX242MA	Folding Umbrella Lateral Holder Ass'y (S210S, 1997-) See Diag. A	5	1
11b	SX242MA1	Folding Umbrella Lateral Holder Ass'y (S220S, S244S, 1999-) See Diag. A	5	1
11c	SX242MA2	Folding Umbrella Lateral Holder Ass'y (S310S, 1999-) See Diag. A	5	1
12a	CX3000Z2	Plastic Air Tube (S210S)	5	1
12b	CX1100Z4	Plastic Air Tube (S244S)	5	1
12c	SX200Z1	Plastic Air Tube (S310S)	5	1
13	SX200Z2	Air Tube Lock Screw	25	1
14	SX180G**	Gasket (2004 and prior)	25	1
15	SX180H**	Drain Cap (2004 and prior)	25	1
★	SX180HG	Drain Cap Kit (includes 14 & 15 – 2004 and prior)	25	1
★	SX180LA	Drain Cap, Gasket and Screen		
16a	SX200J	Filter Support Stand	2	1
16b	SX310J	Filter Support Stand – large (S310S)	1	1
17a	SP0710X62	1 1/2" Vari-Flo Control Valve Assembly w/Gauge	1	1
17b	SP0715X62	2" Vari-Flo Control Valve Assembly w/Gauge	1	1
18	SX200Z4	O-Ring	10	2
19	ECX270861	Pressure Gauge	10	1
20	SX360Z1	O-Ring	20	4
21	SX360E	O-Ring Spacer (after 1995)	10	2
22	SX244P	Bulkhead Fitting, S210S, S244S, S310S, S311S (after 1996)	10	2

*Limited Quantity Available. **Limited Quantity Available – Replace with SX180HG.

S200PAK 3 System Base

23	ECX1291	Standard Pump/Filter Mounting Base	2	1
24	SPX1480A	Union Ball End	10	1
25	SPX1480C	Union Nut	10	1
26	SPX1425Z6	O-Ring	10	1
27	SPX1485B3	Union Elbow w/Compression Assembly	5	1
28	SPX1485G	Compression Gasket	10	1
29	ECX1161Z2	Mounting Screw Set w/Washers	10	2
30	SPX1485DA	Compression Fitting w/Gasket	25	—

NOTE: For 1995, S310S filters used an SX200DL1 Bulkhead, an SX360E Spacer, and SX360Z1 O-Rings with the SX310CD1 and SX310CD2 Elbow Assemblies.