

Parts Listing

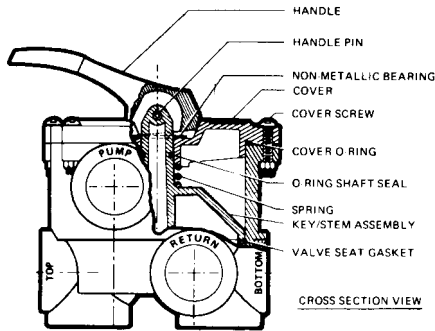
Ref. No.	Part No.	Description	Ctn Qty.	No. Req'd
1	PSXVCA	Handle/Index Kit	1	1
2	PSXVZ1A	Screw Set (8 pcs.)	1	1
3	PSXVB	Cover	1	1
4	PSXVZ2A	Key and Cover O-Ring Kit	1	1
5	PSXVDE	Valve Key Assembly	1	1
–	PSXVBCA	Upper Valve Kit (Includes #'s 1-5)	1	1



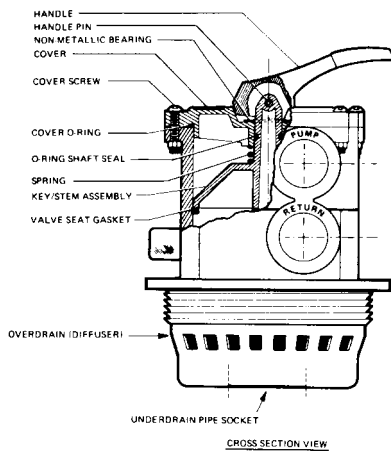
Multiport Valves

REPLACEMENT PARTS

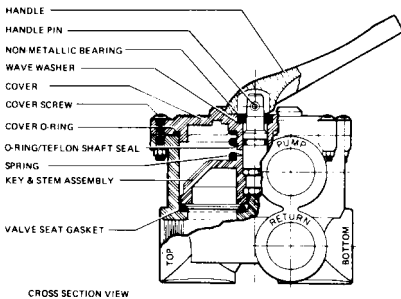
SP0710X SERIES (1977)



SP0712 SERIES



SP0710 SERIES (1969-1975)



Cat. Nos. SP0710, 0710X, 0711, 0712, 1 1/2" Vari-Flo Valves (1976-)

Part No.	Description	Ctn. Qty.
SPX0710XF	Handle	10
SPX0710XZ7	Handle Pin	25
SPX0710Z16	Non-Metallic Bearing	25
SPX0710XZ3	Cover O-Ring	10
SPX0735GA	O-Ring/Teflon Shaft Seal	10
SPX0710Z1A	Cover Screw w/Nut (Set of 6 each)	10
SPX0603S	Spring	5
SPX0710Z62	Spring Washers (Set of 2)	25
SPX0710K	1/4" Plastic Pipe Plug	25
SPX0710XD	Valve Seat Gasket, 5 Spoke – for "X" Valve Body	10
SPX0710XC	Key/Stem Assembly – Noryl	10
SPX0710XBA	Key, Cover and Handle Assembly – White	5
SPX0710XBA17	Key, Cover and Handle Assembly – Black	5
SPX0710MA	Threaded Sight Glass w/Gasket	10
SX200Z9	Gasket for Threaded Sight Glass	25
SPX0710XALLAA	Valve Body w/Gasket & Sight Glass – Style "ALL"	1
SPX0710XA3A	Valve Body w/Gasket & Sight Glass – Style 3	1
SPX0711AA	"GM" Flange-Mount Style Valve Body w/Gasket	
	Sight Glass and Diffuser (Black)	1
SPX0710X32AA	Valve Body w/Gasket & Sight Glass – w/Filter Tank Pipes and Locknuts – for S200, S240 only	1
SPX0710XR50AA	Valve Body w/Gasket & Sight Glass – w/Filter Tank Pipes and Locknuts. "Reverse" style – for DE Series only	1
SPX0710X62AA	Valve Body w/Gasket & Sight Glass – w/Filter Tank Pipes and Locknuts – for Pro Series (Side Mount) only	1
SPX0712AA	Top Mount <i>Threaded</i> Valve Body w/Gasket, Sight Glass and Diffuser (for Hayward Filters).	1
SPX07122AA	Top Mounted <i>Threaded</i> Valve Body w/Gasket, Sight Glass and Diffuser (for Pac-Fab; 6" UNC)	1
SPX0710Z9	3M Adhesive, 5 oz. tube for Valve Seat Gasket	10

NOTE: Parts below are for SP0710 and 0711 Series (1969-1975). These parts are *NOT* interchangeable with current production mod

SPX0710F*	Handle, Metallic	5
SPX0710Z7	Handle Pin	10
SPX0710Z8*	Wave Washer	10
SPX0710Z3	Cover O-Ring	10
SPX0603Z2A	O-Ring/Teflon Shaft Seal	1
SPX0710D	Valve Seat Gasket, 6 Spoke	10
SPX0710XBA	Key, Cover and Handle Assembly – Replaces SPX0710B (cover) and SPX0710C	5

*Limited Quantity Available.

White Goods

Cat. Nos. SP0715, 0716, 2" Vari-Flo Valves

Part No.	Description	Ctn. Qty.
SPX0710FL	Handle, Large	10
SPX0715F	Handle, Standard	10
SPX0710XZ7	Handle Pin	25
SPX0710Z16	Non-Metallic Bearing	25
SPX0710Z1A	Cover Screw w/Nut (Set of 6 each)	10
SPX0715Z1	Cover O-Ring	10
SPX0603S	Spring	5
SPX0710Z62	Spring Washers (Set of 2)	25
SPX0735GA	O-Ring/Teflon Shaft Seal	10
SPX0710K	1/4" Plastic Pipe Plug	25
SPX0715D	Valve Seat Gasket	10
SPX0715C	Key/Stem Assembly – Noryl	10
SPX0715BA	Key, Cover and Handle Assembly, White	1
SPX0715BA3	Key, Cover and Handle Assembly, Black	1
SPX0715ALLAA	Valve Body w/Gasket & Sight Glass – Style "ALL"	1
SPX0715XR50AA	Valve Body w/Gasket & Sight Glass – w/Filter Tank Pipes and Locknuts. "Reverse" style – for DE only	1
SPX0710MA	Threaded Sight Glass w/Gasket	10
SX200Z9	Gasket for Threaded Sight Glass	25

Cat. No. SP0704, 1 1/2" Vari-Flo Valve – 4 Position

Part No.	Description	Ctn. Qty.
SPX0710XF	Handle	10
SPX0710XZ7	Handle Pin	25
SPX0710Z16	Non-Metallic Bearing	25
SPX0704B2	Cover, Black	15
SPX0704F	Cover O-Ring	10
SPX0704HA	O-Ring/Teflon Shaft Seal	25
SPX0704Z1A	Cover Screw (Set of 6)	10
SPX0603S	Spring	5
SPX0710Z62	Spring Washers (Set of 2)	25
SPX0704D	Valve Key Gasket	10
SPX0704CA	Key and Gasket Assembly	10
SPX0704BA	Key, Cover, Gasket and Handle Assembly	5
SPX0704AA	Valve Body w/Diffuser	1

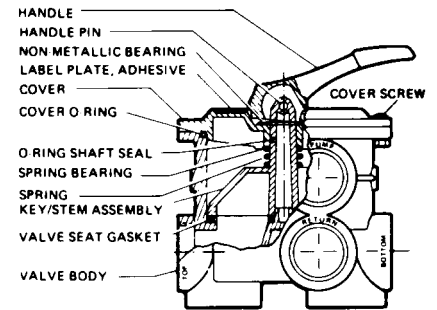
Cat. No. GM400 – 4-Way GM Flange Mount Valve

Part No.	Description	Ctn. Qty.
GMX400BA	Cover Assembly w/Knob	10
GMX400CA	Knob w/Stem	50
GMX400G	Valve Seat Gasket	25
GMX400D	Fiber Bearing Washer	25
GMX400E	Stem Lock Ring	25
GMX007Z24	Stem O-Ring	5
GMX400AA	Body Assembly w/Diffuser	1

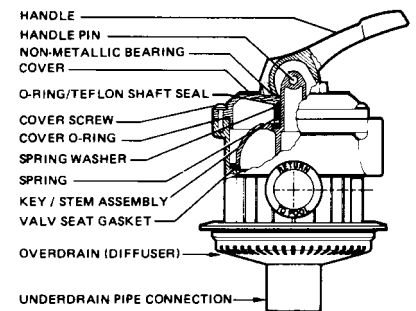
Cat. No. GM600 – 6-Way GM Flange Mount Valve

Part No.	Description	Ctn. Qty.
GMX600BA13	Cover Assembly w/Knob, Brown	1
GMX600G*	Valve Seat Gasket	5
GMX600E	Tru-Arc Snap-Ring	5
GMX600AA13	Body Assembly w/Diffuser, Brown	1

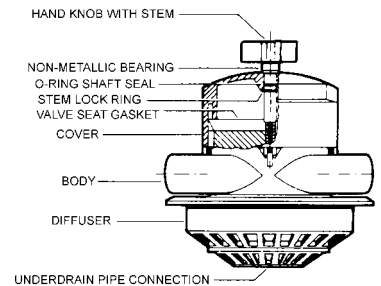
SP0715 SERIES



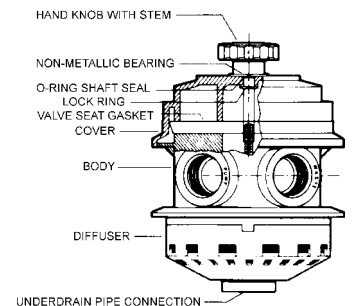
SP0704 SERIES



GM400



GM600



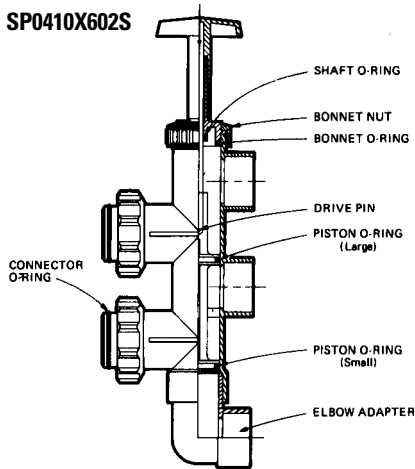
*Limited Quantity Available.



Multiport Valves

REPLACEMENT PARTS (continued)

SP0410X602S



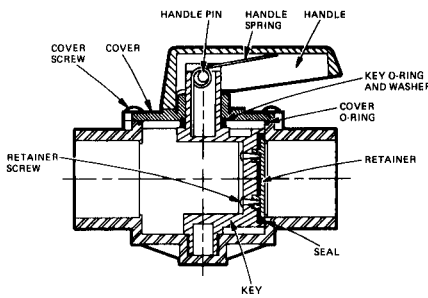
Cat. Nos. SP0410X Series Slide Valve

Part Number	Description	Ctn. Qty.
SPX0410BA	Handle and Piston Assembly	5
SPX0410BK	Piston only w/Pin	5
SPX0722D	Bonnet Nut	10
SPX0722G	Bonnet O-Ring	10
ECX9611246	Shaft O-Ring	25
SPX0410Z2	Piston O-Ring, Large	10
SPX0410K	Drive Pin	10
SPX0410Z1	Piston O-Ring, Small	10
SX200Z4	O-Ring	25
SPX0410F	Elbow Adapter, 2" Socket	5

Cat. No. SP0732, 0733 Series Dial-A-Flo Valves

SPX0733D	Handle	10
SPX0733H	Handle Pin	10
SPX0733J	Handle Spring	10
SPX0732B	Cover (SP732, 2-Way) w/Label	10
SPX0733B	Cover (SP733, 3-Way) w/Label	10
SPX0733Z3A	Cover Screw (Set of 8)	10
SPX0733Z2A	O-Ring, Cover, Washer and Spacer Set	10
SPX0733Z1A	O-Ring, Key, w/Washer (Washer Req'd. - Pre 1988)	10
SPX0733E	Seal	10
ECX1019	Retainer Screw	20
SPX0732CA	Key and Seal Assembly w/O-Ring (2-Way)	5
SPX0732BA	Key, Seal, Cover and Handle Assembly (2-Way)	5
SPX0733CA	Key and Seal Assembly w/O-Ring (3-Way)	5
SPX0733BA	Key, Seal, Cover and Handle Assembly (3-Way)	5

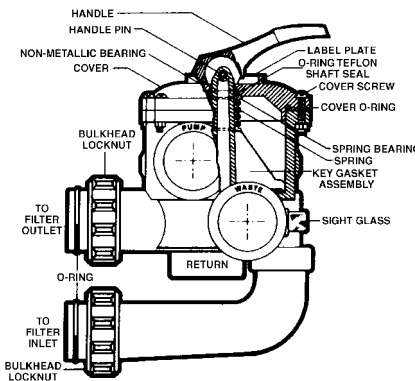
SP0733S



Cat. No. SP0727 Perflex Diverter Valve (Not Illustrated)

SPX0727D	Handle	10
SPX0733H	Handle Pin	10
SPX0727J	Handle Spring	10
SPX0727B	Cover	5
SPX0727K	O-Ring, Cover	10
SPX0733Z3A	Cover Screw (Pkg. of 8)	10
SPX0727H	Seal	10
SPX0733Z1	O-Ring (Key)	10
SPX1483C	O-Ring (Union)	10
SPX0727E	Union Nut	10

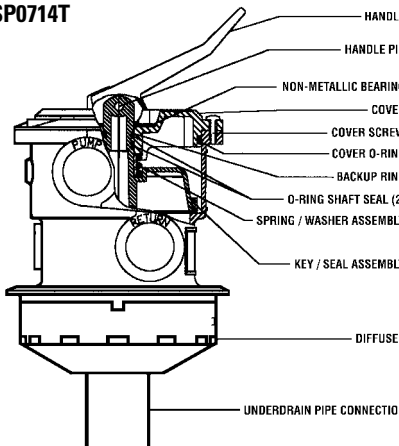
SP0740DE



Cat. No. SP0740DE 2" Selecta-Flo™ Valve

SPX0710FL	Handle, Large	10
SPX0710XZ7	Handle Pin	25
SPX0710Z16	Non-Metallic Bearing	25
SPX0740B	Cover	10
SPX0710Z1A	Cover Screw w/Nut (Set of 6 each)	10
SPX0715Z1	Cover O-Ring	10
SPX0603S	Spring	5
SPX0704HA	O-Ring/Teflon Shaft Seal	25
SPX0710Z62	Spring Washers (Set of 2)	25
SPX0740D	Valve Seat Gasket	10
SPX0740C	Key/Stem Assembly	10
SPX0740BA	Key, Cover, Handle Assembly	10
SPX0740AA	Valve Body w/Gasket & Sight Glass - w/Tank Pipes & Locknuts	1

SP0714T



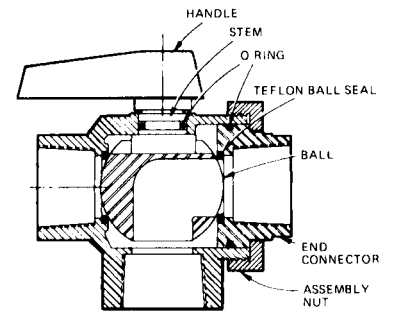
Cat. No. SP0714T Vari-Flo™ XL Valve

SPX0710XF	Handle	10
SPX0710XZ7	Handle Pin	25
SPX0710Z16	Non-Metallic Bearing	25
SPX0714BA	Key, Cover and Handle Assembly	5
SPX0714Z1	Cover Screw (Set of 6)	10
SPX0714L	Cover O-Ring	10
SPX0735GA*	O-Ring Shaft Seal Assembly	10
SPX0710Z62	Spring Washers (Set of 2)	25
SPX0714CA	Key/Seal Assembly	10
SPX0714D	Diffuser	1
SPX0714A	Valve Body w/Gasket and Sight Glass	1

*Two required for each valve.

Cat. Nos. SP0720, 0730, 0735 Ball Valves

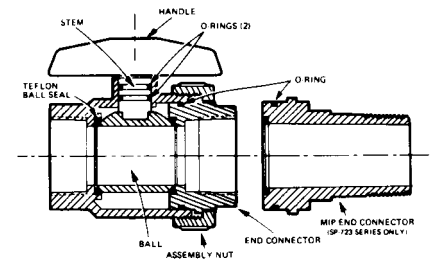
Part No.	Description	Ctn. Qty.
SPX0735D	Handle	10
SPX0735F	Stem	5
SPX0735GH	O-Ring, Stem and End Connector	10
SPX0735E	Assembly Nut	10
SPX0720P2	Teflon Ball Seal, <i>Set 2</i> (SP0720, 0730)	10
SPX0735P2	Teflon Ball Seal, <i>Set 2</i> (SP0735)	10
SPX0720B	End Connector – Threaded (SP0720, 0730)	10
SPX0720BS	End Connector – Socket (SP0720, 0730)	10
SPX0735B	End Connector – Threaded (SP0735)	10
SPX0720C	Ball (SP0720)	5
SPX0735C	Ball (SP0735)	5



SP0735

Cat. Nos. SP0722, 0723 and UN, 1 1/2" Trimline Ball Valves

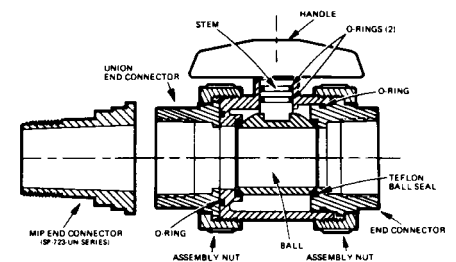
Part No.	Description	Ctn. Qty.
SPX0722F	Handle	10
SPX0722B7	Stem	10
SPX0720P2	Teflon Ball Seal (<i>Set of 2</i>) – 1976 and prior	10
SPX0722P2	Teflon Ball Seal (<i>Set of 2</i>)	10
SPX0722GH	O-Ring, Stem w/End Connector	10
SPX0722D	Assembly Nut	10
SPX0722C7	Ball	10
SPX0722ET7	End Connector – FIP	10
SPX0722ES7	End Connector – SKT	5
SPX0723ET7	End Connector – MIP	10
SPX0722UT	Union End Connector – FIP (UN)	10
SPX0722US	Union End Connector – SKT (UN)	10
SPX0723UT	Union End Connector – MIP (UN)	10
SPX1495Z1	O-Ring, Flush Union End (UN)	10



SP0722, 0723

Cat. Nos. SP0729 1 1/2" 2-Way Ball Valves

Part No.	Description	Ctn. Qty.
SPX0728D	Handle	10
SPX0728H	O-Ring, End Connector	10
SPX1441Z1	O-Ring, Stem	10



SP0722UN, 0723UN

Cat. Nos. SP0724, 0725, 0726, 2" Trimline Ball Valves

Part No.	Description	Ctn. Qty.
SPX0724J	Handle	5
SPX0724B	Stem	10
SPX0724GA	Teflon Ball Seal (<i>Set of 2</i>)w/O-Ring Stem and End Connector	10
SPX0724ET	End Connector – FIP (SP724)	10
SPX0724ES	End Connector – SKT (SP724)	10